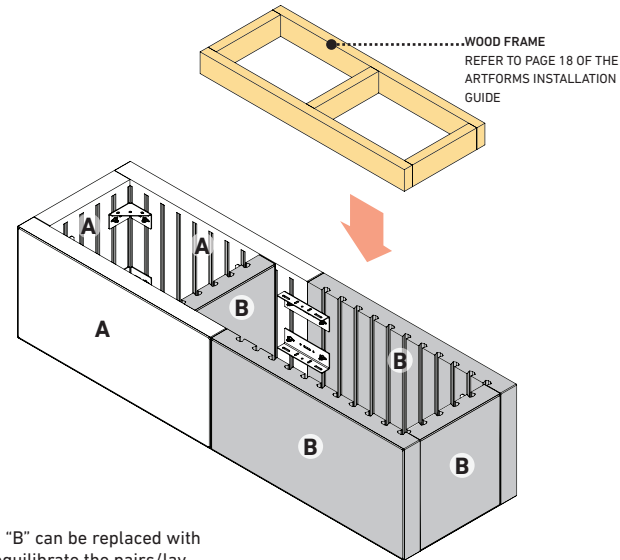


# 1. BENCH & PLANTER

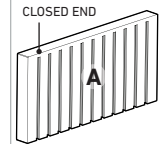
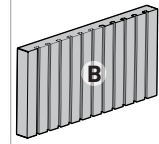
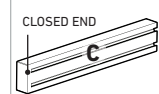
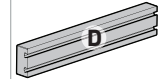


INTERIOR VIEW



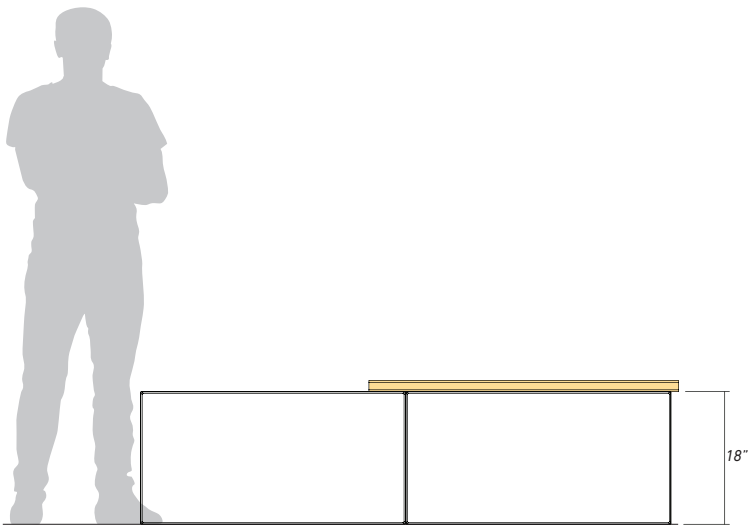
**NOTE:** Panels "B" can be replaced with panels "A" to equilibrate the pairs/layers. Panels "A" can't be replaced by the panels "B".

## REQUIRED PANELS

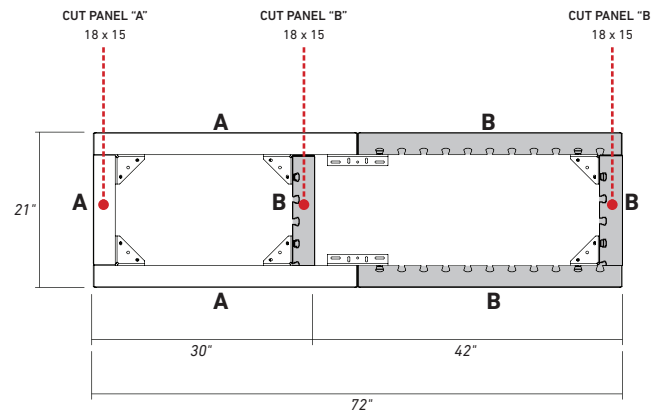
	18 x 36 PANEL	<b>3x</b>
	18 x 36 PANEL	<b>3x</b>
	6 x 36 PANEL	<b>0x</b>
	6 x 36 PANEL	<b>0x</b>

**IMPORTANT:** 18 x 36 panels are sold in pair/layer or in full pallet only. 6 x 36 panels are sold per unit or in layer or in full pallet.

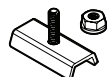
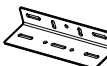



FRONT VIEW



TOP VIEW



## REQUIRED HARDWARE

	ANCHOR SLIDE AND NUT	<b>32x</b>
	JOINING PLATE	<b>4x</b>
	OUTER CORNER	<b>12x</b>
	INNER CORNER	<b>0x</b>
	STRETCHER	<b>0x</b>

**IMPORTANT:** Refer to page 23 of the ARTFORMS INSTALLATION GUIDE about the installation of geotextile in planter box. Contact experts/engineers to validate the base preparation, the drainage, the plants & roots growth/management.